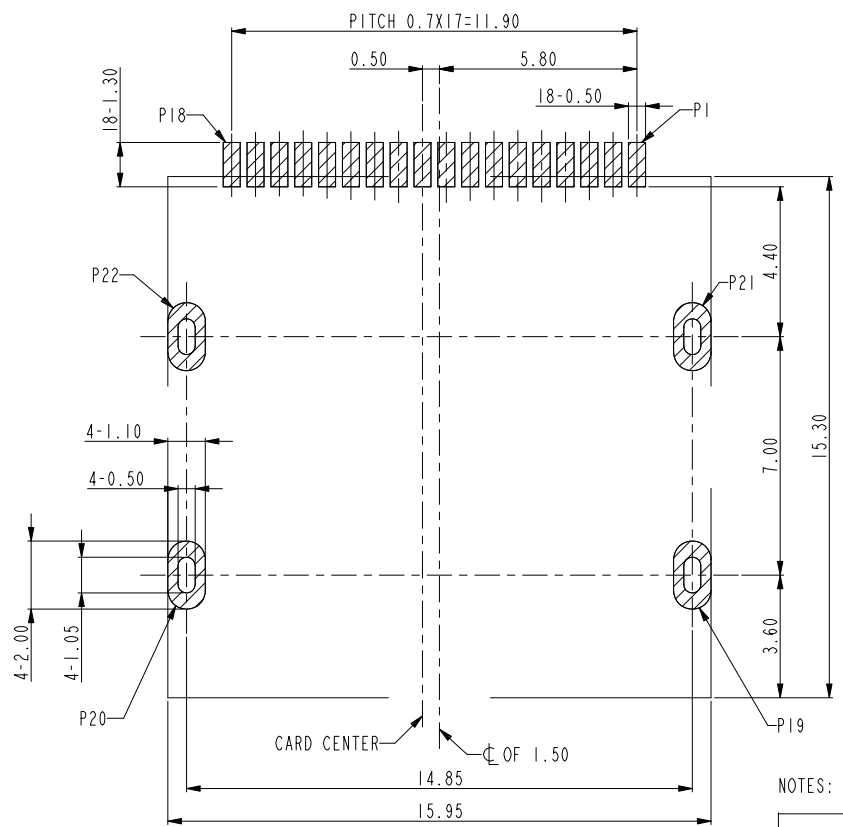


NOTE:

- MATERIAL:
 - 1-1 PLASTICS : HEAT RESISTANCE POLYMER, UL94V-0,COLOR:BLACK
 - 1-2 Terminal : COPPER ALLOY
- PLATING:
 - 2-1 Terminal :
 - 2-1-1 CONTACT AREA : G/F PLATING OVER Ni .
 - 2-1-2 SOLDERTAIL AREA : MATTE Tin OVER Ni .
- TAIL COPLANARITY TO BE 0.10mm MAX.
- PART MUST COMPLY TAI SOL HF WD-3-1-091 SPECIFICATION
- RECOMMENDING A METAL MORE THAN 0.15mm THICK. PLEASE CONFIRM SOLDERADILITY, IF USE A METAL MASK LESS THAN 0.15mm THICK.

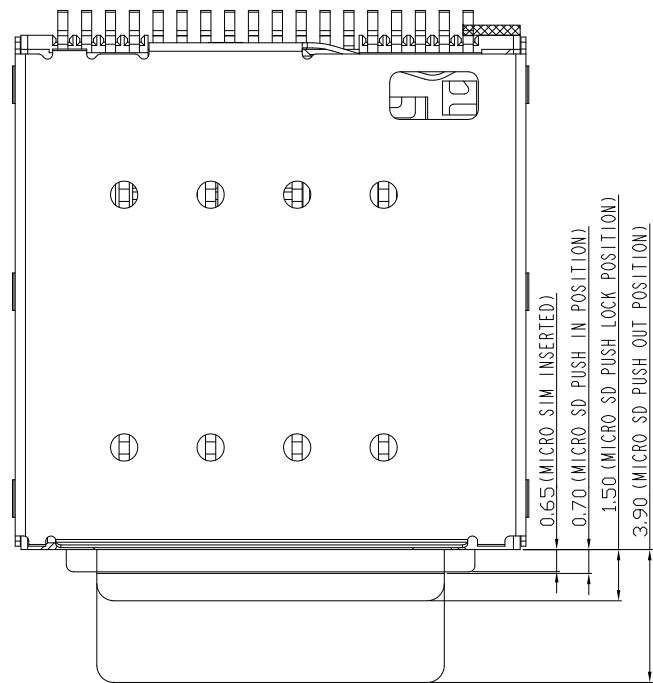
GENERAL TOLERANCE		DWG.NO.	TW31-AP401-00	PART.NO.	TW31-AP401-**	DRAWN	L.M.J 2014.07.17
x.±0.50	x.°± 5°	REV.	A	TITLE	Micro SD+Micro SIM 2in1 conn.	CHECKED	
.x±0.25	.x°± 2°	SIZE		SHEET	1 OF 3	APPROVED	
.xx±0.15	.xx°± 1°	A4					

UNIT	mm	SCALE	1:1
东莞市欧联电子科技有限公司 DONGGUAN OLN ELECTRONICS TECHNOLOGY CO., LTD.			



RECOMMENDED P.C. BOARD LAYOUT (MOUNT SURFACE)
TOLERANCES UNLESS OTHERWISE SPEC. ±0.05

- NOTES:
- : KEEP OUT AREA
 - : PAD AREA



CARD INSERTED STATE:

PART.NO.:
TW31-AP401-**

- 42: 功能区镀金10U", 锡脚镀雾纯锡至少120U"
- 43: 功能区镀金30U", 锡脚镀雾纯锡至少120U"
- 44: 功能区镀金50U", 锡脚镀雾纯锡至少120U"
- 45: 功能区镀金100U", 锡脚镀雾纯锡至少120U"
- 46: 功能区镀金150U", 锡脚镀雾纯锡至少120U"
- 47: 功能区镀金300U", 锡脚镀雾纯锡至少120U"

PIN ASSIGNMENT:

PIN NO.	PIN ASSIGNMENT	FUNCTION
P1	SIM CD SW	CARD DETECT
P2	SIM C1	VCC
P3	SIM C5	GND
P4	SIM C2	RST
P5	SIM C6	VPP
P6	SD PIN1	DAT2
P7	SD PIN2	CD/DAT3
P8	SD PIN3	CMD
P9	SD PIN4	VDD
P10	SD PIN5	CLK
P11	SD PIN6	VSS
P12	SD PIN7	DAT0
P13	SD PIN8	DAT1
P14	SD CD SW	CARD DETECT
P15	SIM C3	CLK
P16	SIM C7	I/O
P17	SIM C8	RESERVED
P18	SIM C4	RESERVED
P19	GND	GND
P20	GND	GND
P21	GND	GND
P22	GND	GND

MICRO SD OPENING/CLOSE OF SWITCH:

	MICRO SD Card Detect Switch	
Card Uninsertion	Open	
Card Half Insertion	Open	
Card Insertion	Close	
N/O	Open	Close

MICRO SIM OPENING/CLOSE OF SWITCH:

	MICRO SIM Card Detect Switch	
Card Uninsertion	Close	
Card Insertion	Open	
N/C	Close	Open

GENERAL TOLERANCE	DWG.NO.	TW31-AP401-00
×.±0.50	REV.	A
×.±0.25	SIZE	
×.±0.15	A4	

PART.NO.	TW31-AP401-**	DRAWN	L.M.J 2014.07.17
TITLE	Micro SD+Micro SIM 2in1 conn.	CHECKED	
SHEET	2 OF 3	APPROVED	

UNIT	mm	SCALE	1:1
东莞市欧联电子科技有限公司 DONGGUAN OLN ELECTRONICS TECHNOLOGY CO., LTD.			